

FLYTECH

POS458

Flytech's POS458 was born to make life easier when it comes to serviceability and upgradability. The new POS458 is a modular 18.5" All-in-One POS Terminal with aesthetic design of the chassis. Seamless integration of modular peripherals such as MSR, iButton, Fingerprint, Second Display and Customer Display are all available.



APPLICATION BENEFITS

- Easy Peripheral Connectivity
- Superior Serviceability and Upgradability



Modular Design



WiFi



Fanless



MSR



iButton



Fingerprint



Built-in Printer

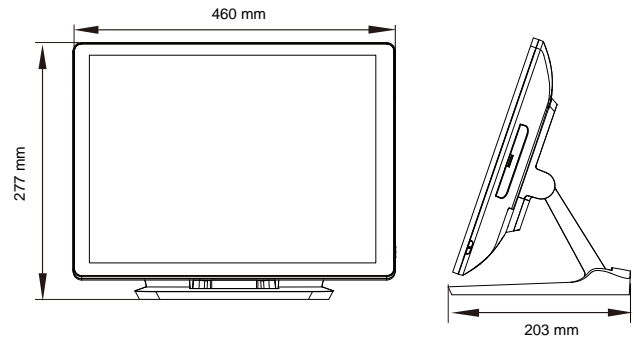


Customer Display

FEATURES

- 18.5" True-Flat PCAP Touch
- Fanless and Silent
- Modular Design for Easy Serviceability
- MSR/ iButton/ Fingerprint Available
- 2nd Display and Customer Display Available

DIMENSIONS



SPECIFICATIONS

System	Motherboard	F34	F84U
	Processor	Intel® Elkhart Lake Celeron J6412	Intel® Tiger Lake i3-1115G4
	Memory	1x DDR4 up to 8GB	1x DDR4 up to 8GB
	Storage	256GB SSD (M.2)	256GB SSD (M.2)
Display	Size and Resolution	18.5" 1366x768	18.5" 1366x768
	Touch Screen	True-Flat PCAP multi-touch	True-Flat PCAP multi-touch
Expansion	M.2 (E Key)	1	1
I/O Ports	USB Type-A	2x USB3.0 2x USB2.0	2x USB3.0 2x USB2.0
	USB Type-C	1x USB2.0 (data only) 1x USB3.0 (data only)	1x USB3.0 (data only) 1x USB3.0 (full-featured)
	FeDP	1x Flytech proprietary miniDP (for 2nd display)	1x Flytech proprietary miniDP (for 2nd display)
	Serial Port	2x DB9 (default 0V; COM1/COM2: 0V, 5V, 12V)	2x DB9 (default 0V; COM1/COM2: 0V, 5V, 12V)
	LAN	1x RJ45	1x RJ45
	Cash Drawer	1x RJ11	1x RJ11
	DC Jack	1x 4PIN (with latch)	1x 4PIN (with latch)
Optional I/O	Powered USB	1x Powered USB 12V	1x Powered USB 12V
Audio	Internal Speaker	1x 3W (Option)	1x 3W (Option)
Indicator	LED indicator	1	1
Power	Power Adapter	65W / 19V (120W/19V with PUSB 12V)	120W / 19V
Communication	WLAN+BT	802.11 series, BT4.0 (Option)	802.11 series, BT4.0 (Option)
Peripheral (Option)	MSR	3-Track MSR (USB)	3-Track MSR (USB)
	iButton	iButton (USB)	iButton (USB)
	Fingerprint	Fingerprint reader (USB)	Fingerprint reader (USB)
	Customer Display	LCM display 2 x 20 characters (USB)	LCM display 2 x 20 characters (USB)
	2nd Display	11.6" 2nd display	11.6" 2nd display
Certificate	EMC & Safety	FCC Class A, CE Mark, LVD	FCC Class A, CE Mark, LVD
Environment	Operating Temperature	0°C ~ 35°C (32°F ~ 95°F)	0°C ~ 35°C (32°F ~ 95°F)
	Storage Temperature	-20°C ~ 60°C (-4°F ~ 140°F)	-20°C ~ 60°C (-4°F ~ 140°F)
	Humidity	20% ~ 85% RH non-condensing	20% ~ 85% RH non-condensing
Dimensions (WxDxH)		460 x 203 x 277 mm (18.1" x 8.0" x 10.9")	460 x 203 x 277 mm (18.1" x 8.0" x 10.9")
Weight		6kg (13.2 lbs)	6kg (13.2 lbs)
Mounting		VESA mount 100 x 100	VESA mount 100 x 100
OS Supported		Windows 10 IoT Enterprise Linux	Windows 10 IoT Enterprise Linux

※ PRODUCT SPECIFICATIONS AND DATA ARE SUBJECT TO CHANGE WITHOUT NOTICE ※

Taiwan - Headquarters

 No.168, Sing-ai Rd., Neihu District,
Taipei City 11494, Taiwan, R.O.C.
 886-2-8791-4988
 886-2-8791-4966
 sales@flytech.com.tw
www.flytech.com

U.S.A. - California

 271 East Brokaw Road, San Jose,
CA 95112, U.S.A.
 1-510-257-5180
 1-510-257-5181
 sales@flytech.com

China - Shanghai

 3F Building 39, No. 333 Qin Jiang Rd.,
Shanghai 200233, P.R.China
 86-21-5426-1555
 86-21-5426-1001
 sales@flytech.com.cn
www.flytech.com.cn

China - Hong Kong SAR

 Rm01, 6/F, Blk A, Tonic Industrial Centre,
26 Kai Cheung Road, Kowloon Bay,
Kowloon, Hong Kong.
 852-3525-5800
 852-2751-7447
 sales@flytech.com.hk

