

**FLYTECH**

# POS335N3

The sleek and elegant design of the POS335N3 makes it a perfect fit for the retail and hospitality industries. Its fanless design provides better performance and enhances the customer experience. It seamlessly integrates numerous peripheral modules such as MSR, iButton, Fingerprint Reader, Second Display, and Customer Display.



Modular Design



Fanless



MSR



iButton



Fingerprint



2nd Display



Customer Display



## APPLICATION BENEFITS

Sleek, Stylish and Compact

Energy Efficient

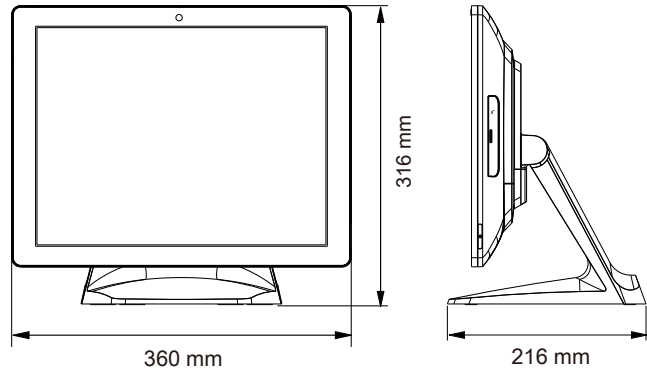
Wall Mountable

Superior Serviceability and Upgradability

## FEATURES

- 15" True-Flat PCAP Touch
- Fanless and Silent
- Modular Design for Easy Serviceability
- MSR/ iButton/ Fingerprint Available
- 2nd Display and Customer Display Available

## DIMENSIONS



## SPECIFICATIONS

<b>System</b>	<b>Motherboard</b>	<b>G35</b>
	Processor	Intel® Alder Lake N Processor: N97 / i3-N305
	Memory	1x DDR4 up to 8GB
	Storage	128GB SSD (M.2)
<b>Display</b>	Size and Resolution Touch Screen	15" 1024 x 768 True-Flat PCAP multi-touch
<b>Expansion</b>	M.2 (E Key)	1
<b>I/O ports</b>	USB Type-A	2x USB3.0, 4x USB2.0
	USB Type-C	1x USB3.0 full-functioned (DP/PD 5V/3A, 12V/3A)
	Serial Port	3x RJ48 (standard RS232) (default 0V; 5V,12V)
	LAN	1 x RJ45
	Cash Drawer	1 x RJ11
	FeDP	2x Flytech proprietary miniDP (1x for main display, 1x for 2nd display)
	DC Jack	1x 4PIN (with latch)
<b>Optional I/O</b>	Powered USB	1x Powered USB 12V, 1x Powered USB 24V
<b>Audio</b>	Internal Speaker	1 x 3W (Option)
<b>Indicator</b>	LED Indicator	1
<b>Power</b>	Power Button	65W/19V (120W/19V with 1x PUSB 12V & 1x PUSB 24V)
<b>Communication</b>	WLAN + BT	802.11 series + BT5.0 (Option)
<b>Peripheral (option)</b>	MSR	3-Track MSR (USB)
	NFC	NFC Reader (USB)
	Fingerprint	Fingerprint reader (USB)
	2D Scanner	2D Scanner (USB)
	Customer Display	LCM display 2 x 20 characters (USB)
	2nd Display	11.6" 2nd display
<b>Certificate</b>	EMC & Safety	FCC Class A, CE Mark, LVD
<b>Environment</b>	Operating Temperature	0°C ~ 35°C (32°F ~ 95°F)
	Storage Temperature	-20°C ~ 60°C (-4°F ~ 140°F)
	Humidity	20% ~ 85% RH non-condensing
<b>Dimensions</b>	W x H x D	360 x 316 x 216 mm (14.2" x 12.4" x 8.3")
<b>Weight</b>	Weight	5.4kg (11.9 lbs)
<b>Mounting</b>	VESA Mount	75 x 75, 100 x 100
<b>OS Supported</b>		Windows 10 IoT Enterprise, Linux, Android 13.0

※ PRODUCT SPECIFICATIONS AND DATA ARE SUBJECT TO CHANGE WITHOUT NOTICE ※

### Taiwan - Headquarters

No.168, Sing-ai Rd., Neihu District,  
Taipei City 11494, Taiwan, R.O.C.  
886-2-8791-4988  
886-2-8791-4966  
sales@flytech.com  
www.flytech.com

### U.S.A. - California

271 East Brokaw Road, San Jose,  
CA 95112, U.S.A.  
1-510-257-5180  
1-510-257-5181  
sales@flytech.com

### China - Shanghai

3F Building 39, No. 333 Qin Jiang Rd.,  
Shanghai 200233, P.R.China  
86-21-5426-1555  
86-21-5426-1001  
sales@flytech.com.cn  
www.flytech.com.cn

### China - Hong Kong SAR

Rm01, 6/F, Blk A, Tonic Industrial Centre,  
26 Kai Cheung Road, Kowloon Bay,  
Kowloon, Hong Kong.  
852-3525-5800  
852-2751-7447  
sales@flytech.com.hk

