

**FLYTECH**

# POS335X2

New Versatile 15" POS Solution

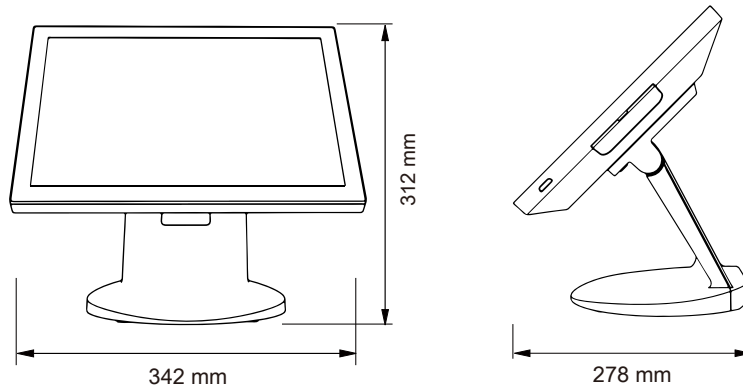
Windows Linux Android 13



## KEY FEATURES:

- Features Intel® Alder Lake-N processors
- Supports Windows, Linux, and Android operating systems
- Touch bezel with center alignment for better viewing and interaction
- Designed with a convenient SSD service door for easy maintenance
- Front-facing USB for easy service access
- Versatile selection of peripherals for better functionality

## DIMENSIONS



## SPECIFICATIONS

<b>System</b>	<b>Motherboard</b>	<b>G35</b>
	Processor	Intel® Alder Lake N Processor: N97 / i3-N305
	Memory	1x DDR4 up to 8GB
	Storage	128GB SSD (M.2)
<b>Display</b>	Size and Resolution	15" 1024 x 768
	Touch Screen	True-Flat PCAP multi-touch
<b>Expansion</b>	M.2 (E Key)	1
<b>I/O ports</b>	USB Type-A	2x USB3.0, 4x USB2.0, 1x USB2.0 (front)
	USB Type-C	1x USB3.0 full-functioned (DP/PD 5V/3A, 12V/3A)
	Serial Port	3x RJ48 (standard RS232) (default 0V; 5V,12V)
	LAN	1 x RJ45
	Cash Drawer	1 x RJ11
	FeDP	2x Flytech proprietary miniDP (1x for main display, 1x for 2nd display)
	DC Jack	1x 4PIN (with latch)
<b>Optional I/O</b>	Powered USB	1x Powered USB 12V, 1x Powered USB 24V
<b>Audio</b>	Internal Speaker	1 x 3W (Option)
<b>Indicator</b>	Power Button	1
<b>Power</b>	Power Adapter	65W/19V (120W/19V with 1x PUSB 12V & 1x PUSB 24V)
<b>Communication</b>	WLAN + BT	802.11 series + BT5.0 (Option)
<b>Peripheral (option)</b>	MSR	3-Track MSR (USB)
	iButton	iButton (USB)
	Fingerprint	Fingerprint reader (USB)
	Customer Display	LCM Display 2 x 20 characters (USB)
	2nd Display	11.6" 2nd Display
<b>Certificate</b>	EMC & Safety	FCC Class A, CE Mark, LVD
	Operating Temperature	0°C ~ 35°C (32°F ~ 95°F)
<b>Environment</b>	Storage Temperature	-20°C ~ 60°C (-4°F ~ 140°F)
	Humidity	20% ~ 85% RH non-condensing
	<b>Dimensions</b>	W x H x D
<b>Mounting</b>	VESA Mount	75 x 75, 100 x 100
<b>OS Supported</b>		Windows 10 IoT Enterprise, Linux, Android 13.0

※ PRODUCT SPECIFICATIONS AND DATA ARE SUBJECT TO CHANGE WITHOUT NOTICE ※

### Taiwan - Headquarters

No.168, Sing-ai Rd., Neihu District,  
Taipei City 11494, Taiwan, R.O.C.  
886-2-8791-4988  
886-2-8791-4966  
sales@flytech.com  
www.flytech.com

### U.S.A. - California

271 East Brokaw Road, San Jose,  
CA 95112, U.S.A.  
1-510-257-5180  
1-510-257-5181  
sales@flytech.com

### China - Shanghai

3F Building 39, No. 333 Qin Jiang Rd.,  
Shanghai 200233, P.R.China  
86-21-5426-1555  
86-21-5426-1001  
sales@flytech.com.cn  
www.flytech.com.cn

### China - Hong Kong SAR

Rm01, 6/F, Blk A, Tonic Industrial Centre,  
26 Kai Cheung Road, Kowloon Bay,  
Kowloon, Hong Kong.  
852-3525-5800  
852-2751-7447  
sales@flytech.com.hk

