



# K769



IP65



Fanless



WiFi



Webcam



MSR



Device Box

## Features

- 19" True-Flat Resistive or PCAP Touch
- Intel Skylake U Processor
- Front IP65
- WiFi + BT Available
- Webcam Available
- MSR Available
- Device Box (Smart IC Card Reader, RFID, Scanner, Line-out, Mic-in) Available



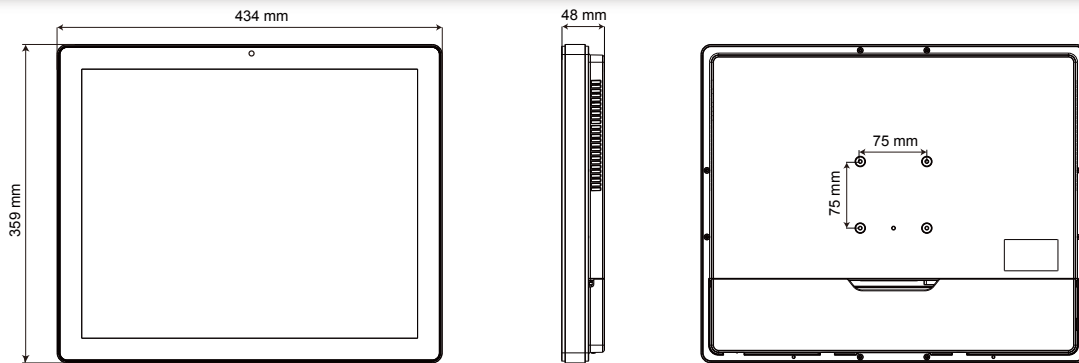
Reliability, functionality, accuracy, hygiene, performance efficiency and cost-effectiveness are all synonyms for hardware solutions when it comes to interactive information, digital signage, kiosks, and medical equipment. Whether looking for panel PC solutions for mission critical or non-critical environments, at Flytech, we understand the importance of providing the optimal panel PC system that suits an array of applications.

# K769

Multifunctional Touch Panel PC

**FLYTECH**

www.flytech.com



## Specification

<b>System</b>	Motherboard	D86U
	Processor	Intel Skylake U CPU Celeron 3955U, i3-6100U, i5-6300U
	Chipset	CPU Integrated
	System Memory	1x DDR3L 1600MHz SO-DIMM up to 8GB
	Storage Device	1x 2.5" SATA HDD or SSD or SSD module
	Graphic Engine	Intel HD Graphics
<b>LCD Touch Panel</b>	LCD Size	19" (4:3 ratio)
	Brightness	250 nits
	Resolution	1280 x 1024
	Touch Screen	True-Flat Resistive or PCAP Touch
<b>Expansion</b>	Mini PCI-E Slot	1
<b>External I/O Ports</b>	USB	4x USB3.0, 2x USB 2.0
	Serial Port	4x RJ48 (with DB9 convert cable)
	LAN	2x RJ45
	Audio Jack	1x Line-out, 1x Mic-in
	VGA	1x DB15
	DVI	1x DVI-D (Option)
<b>Audio</b>	Internal Speaker	2x 3W
<b>Power</b>	Power Supply	90W / 19V
	Wide Range Power Input	12-48V (i3, i5 CPU only)
	Connector	4-pole DIN (with latch)
<b>Peripheral</b>	Webcam	2MP (Built-in)
	WiFi + BT	802.11 b/g/n WLAN card + BT 4.0 (either 2nd LAN or WiFi + BT) (Option)
	MSR	3-Track MSR (USB) (Option)
	Device Box	Smart IC Card Reader, RFID, Scanner, Line-out, Mic-in (Option)
<b>Certificate</b>	EMC & Safety	FCC Class A, CE Mark, LVD
<b>Environment</b>	Ventilation	Fanless
	Dust & Water Proof	Front IP65
	Operating Temperature	0°C ~ 35°C (32°F ~ 95°F) (Still Air)
	Storage Temperature	-20°C ~ 60°C (-4°F ~ 140°F)
	Humidity	20% ~ 85% RH non-condensing
<b>Dimensions (WxDxH)</b>		434 x 48 x 359 mm (17.1" x 1.9" x 14.1")
<b>Weight</b>		7 kg (15.4 lbs)
<b>Mounting</b>		VESA Mount 75 x 75
<b>OS Supported</b>		Windows 7 (64bit), POSReady 7 (64bit), Windows 8.1 (64bit), Windows Embedded 8.1 Industry (64bit), Windows 10 (64bit), Windows 10 IoT Enterprise (64bit), Linux

### Taiwan - Headquarters

No.168, Sing-ai Rd., Neihu District,  
Taipei City 11494, Taiwan, R.O.C.  
Tel: 886-2-8791-4988  
Fax: 886-2-8791-4966  
E-mail: sales@flytech.com.tw  
www.flytech.com

### U.S.A. - California

271 East Brokaw Road, San Jose,  
CA 95112, U.S.A.  
Tel: 1-510-257-5180  
Fax: 1-510-257-5181  
E-mail: sales@flytech.com

### China - Shanghai

3F Building 39, No. 333 Qin Jiang Rd.,  
Shanghai 200233, P.R.China  
Tel: 86-21-5426-1555  
Fax: 86-21-5426-1001  
E-mail: sales@flytech.com.cn  
www.flytech.com.cn

### China - Hong Kong SAR

Room 01, 6/F, Block A, Tonic Industrial  
Centre, 26 Kai Cheung Road, Kowloon  
Bay, Kowloon, Hong Kong  
Tel: 852-3525-5800  
Fax: 852-2751-7447  
E-mail: sales@flytech.com.hk