



## K767



### Features

- 15" True-Flat Resistive or PCAP Touch
- Intel Bay Trail or Haswell Processor
- Front IP65
- WiFi + BT Available
- MSR Available

\*Fanless is Available for Intel Bay Trail



IP65



Fanless \*



WiFi



MSR

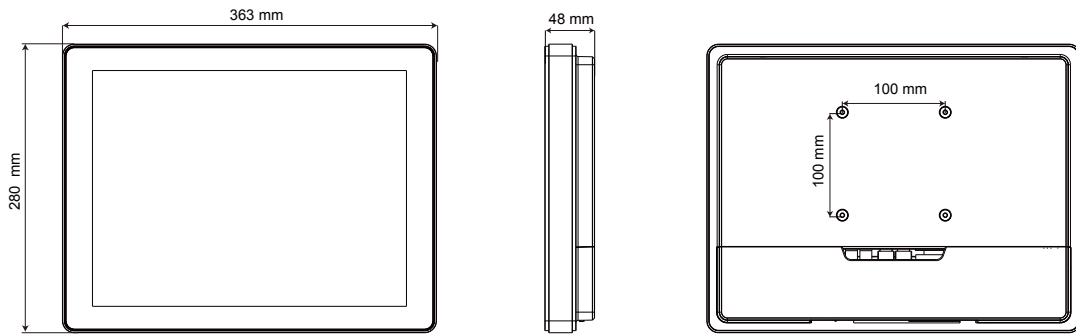
Reliability, functionality, accuracy, hygiene, performance efficiency and cost-effectiveness are all synonyms for hardware solutions when it comes to interactive information, digital signage, kiosks, and medical equipment. Whether looking for panel PC solutions for mission critical or non-critical environments, at Flytech, we understand the importance of providing the optimal panel PC system that suits an array of applications.

# K767

Multifunctional Touch Panel PC

**FLYTECH**

www.flytech.com



## Specification

<b>System</b>	Motherboard	D36*	D66
	Processor	Intel Bay Trail CPU Celeron J1900 2.4GHz	Intel Haswell CPU (max. 45W)
	Chipset	CPU Integrated	Intel Q87 (AMT 9.0)
	System Memory	1x DDR3L 1066/1333MHz SO-DIMM up to 8GB	1x DDR3 1333/1600MHz SO-DIMM up to 8GB
	Storage Device	1x 2.5" SATA HDD or SSD or SSD module	1x 2.5" SATA HDD or SSD or SSD module
Graphic Engine	Intel HD Graphics	Intel HD Graphics	
<b>LCD Touch Panel</b>	LCD Size	15" (4:3 ratio)	15" (4:3 ratio)
	Brightness	350 nits	350 nits
	Resolution	1024 x 768	1024 x 768
	Touch Screen	True-Flat Resistive or PCAP Touch	True-Flat Resistive or PCAP Touch
<b>Expansion</b>	Mini PCI-E Slot	1	1
<b>External I/O Ports</b>	USB	1x USB3.0, 4x USB2.0	2x USB3.0, 4x USB2.0
	Serial Port	4x RJ48 (with DB9 convert cable)	4x RJ48 (with DB9 convert cable)
	LAN	2x RJ45	2x RJ45
	Audio Jack	1x Line-out	1x Line-out, 1x Mic-in
	VGA	1x DB15	1x DB15
	DVI	1x DVI-D (Option)	1x DVI-D (Option)
<b>Audio</b>	Internal Speaker	1x 2W	1x 2W
<b>Power</b>	Power Supply	65W / 19V	120W / 19V
	Wide Range Power Input	12-48V	12-48V
	Connector	4-pole DIN (with latch)	4-pole DIN (with latch)
<b>Peripheral (Option)</b>	WiFi + BT	802.11 b/g/n WLAN card + BT 4.0	802.11 b/g/n WLAN card + BT 4.0
	MSR	3-Track MSR (USB)	3-Track MSR (USB)
<b>Certificate</b>	EMC & Safety	FCC Class A, CE Mark, LVD	FCC Class A, CE Mark, LVD
	Medical	N/A	EN 60601-1, UL 60601-1 3rd Edition
<b>Environment</b>	Ventilation	Fanless	Fan
	Dust & Water Proof	Front IP65	Front IP65
	Operating Temperature	0°C ~ 35°C (32°F ~ 95°F) (Still Air)	0°C ~ 35°C (32°F ~ 95°F) (Still Air)
	Storage Temperature	-20°C ~ 60°C (-4°F ~ 140°F)	-20°C ~ 60°C (-4°F ~ 140°F)
	Humidity	20% ~ 85% RH non-condensing	20% ~ 85% RH non-condensing
<b>Dimensions (WxDxH)</b>	363 x 48 x 280 mm (14.3" x 1.9" x 11.0")		
<b>Weight</b>	4.9 kg (10.8 lbs)		
<b>Mounting</b>	VESA Mount 100 x 100		
<b>OS Supported</b>	Windows 7 (32/64bit), Windows 8.1 (32/64bit), Windows 10 (64bit), Linux		

### Taiwan - Headquarters

No.168, Sing-ai Rd., Neihu District,  
Taipei City 11494, Taiwan, R.O.C.  
Tel: 886-2-8791-4988  
Fax: 886-2-8791-4966  
E-mail: sales@flytech.com.tw  
www.flytech.com

### U.S.A. - California

271 East Brokaw Road, San Jose,  
CA 95112, U.S.A.  
Tel: 1-510-257-5180  
Fax: 1-510-257-5181  
E-mail: sales@flytech.com

### China - Shanghai

3F Building 39, No. 333 Qin Jiang Rd.,  
Shanghai 200233, P.R.China  
Tel: 86-21-5426-1555  
Fax: 86-21-5426-1001  
E-mail: sales@flytech.com.cn  
www.flytech.com.cn

### China - Hong Kong SAR

Room 01, 6/F, Block A, Tonic Industrial  
Centre, 26 Kai Cheung Road, Kowloon  
Bay, Kowloon, Hong Kong  
Tel: 852-3525-5800  
Fax: 852-2751-7447  
E-mail: sales@flytech.com.hk