



K75D



500 nits



IP54



Fanless



Device Box

Features

- 42" True-Flat PCAP Touch
- Intel Skylake U Processor
- Front IP54
- Device Box (Smart IC Card Reader, RFID, Scanner, Line-out, Mic-in) Available



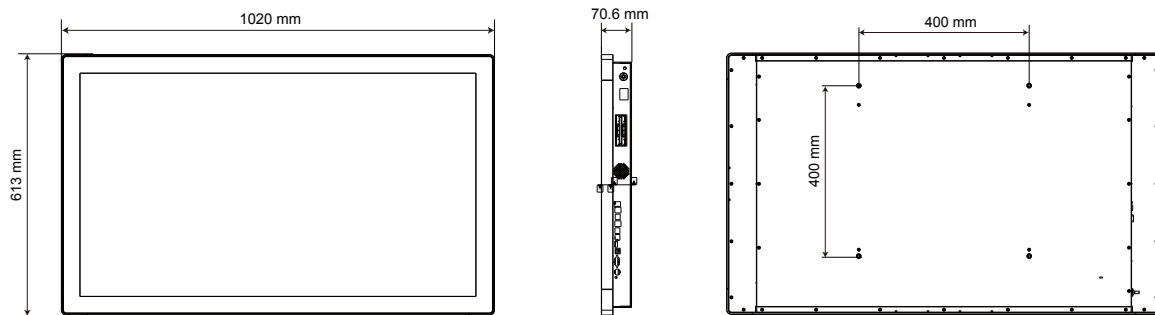
Flytech's latest K75D 42" multi-touch screen embedded system delivers all the reliability, functionality and performance efficiency required for an interactive information display in various touch applications. The powerful K75D is a True-Flat projected capacitive All-in-One solution equipped with the latest Intel 6th Generation Skylake-U processor and provides a high-brightness picture and the most responsive gestures-based display available today. With its rich I/O interface paired with an optional device box, the K75D offers endless connectivity options making it a perfect fit for the commercial, hospitality, automation, medical, healthcare, kiosk and infotainment markets.

K75D

Multifunctional Touch Panel PC

FLYTECH

www.flytech.com



Specification

System	Motherboard	D86U
	Processor	Intel Skylake U CPU
	Chipset	CPU Integrated
	System Memory	1x DDR3L 1600MHz SO-DIMM up to 8GB
	Storage Device	1x 2.5" SATA HDD or SSD
	Graphic Engine	Intel HD Graphics
LCD Touch Panel	LCD Size	42" (16:9 ratio)
	Brightness	500 nits
	Resolution	1920 x 1080
	Touch Screen	True-Flat PCAP Multi-Touch
External I/O Ports	USB	4x USB3.0, 2x USB2.0
	Serial Port	3x RJ48 (default 0V; 0V/5V/12V)
	LAN	1x RJ45
	VGA	1x DB15
	Audio Line-out (fly cable)	1
Audio	Internal Speaker	2x 3W
Power	Power Supply	100 ~ 240VAC, 50/60Hz
Peripheral (Option)	Device Box	Smart IC Card Reader, RFID, Scanner, Line-out, Mic-in
Certificate	EMC & Safety	FCC Class A, CE Mark, LVD
Environment	Ventilation	Fanless
	Dust & Water Proof	Front IP54
	Operating Temperature	0°C ~ 35°C (32°F ~ 95°F) (Still Air)
	Storage Temperature	-20°C ~ 60°C (-4°F ~ 140°F)
	Humidity	20% ~ 85% RH non-condensing
Dimensions (WxDxH)		1020 x 70.6 x 613 mm (40.2" x 2.8" x 24.1")
Weight		27.6 kg (60.9 lbs)
Mounting		VESA Mount 400 x 400
OS Supported		Windows 7 (64bit), POSReady 7 (64bit), Windows 8.1 (64bit), Windows Embedded 8.1 Industry (64bit), Windows 10 (64bit), Windows 10 IoT Enterprise (64bit), Linux

Taiwan - Headquarters

No.168, Sing-ai Rd., Neihu District,
Taipei City 11494, Taiwan, R.O.C.
Tel: 886-2-8791-4988
Fax: 886-2-8791-4966
E-mail: sales@flytech.com.tw
www.flytech.com

U.S.A. - California

271 East Brokaw Road, San Jose,
CA 95112, U.S.A.
Tel: 1-510-257-5180
Fax: 1-510-257-5181
E-mail: sales@flytech.com

China - Shanghai

3F Building 39, No. 333 Qin Jiang Rd.,
Shanghai 200233, P.R.China
Tel: 86-21-5426-1555
Fax: 86-21-5426-1001
E-mail: sales@flytech.com.cn
www.flytech.com.cn

China - Hong Kong SAR

Room 01, 6/F, Block A, Tonic Industrial
Centre, 26 Kai Cheung Road, Kowloon
Bay, Kowloon, Hong Kong
Tel: 852-3525-5800
Fax: 852-2751-7447
E-mail: sales@flytech.com.hk