



K75D



500 nits



IP54



Fanless



Device Box

Features

- 42" True-Flat PCAP Touch
- Intel Skylake U Processor
- Front IP54
- Device Box (Smart IC Card Reader, RFID, Scanner, Line-out, Mic-in) Available



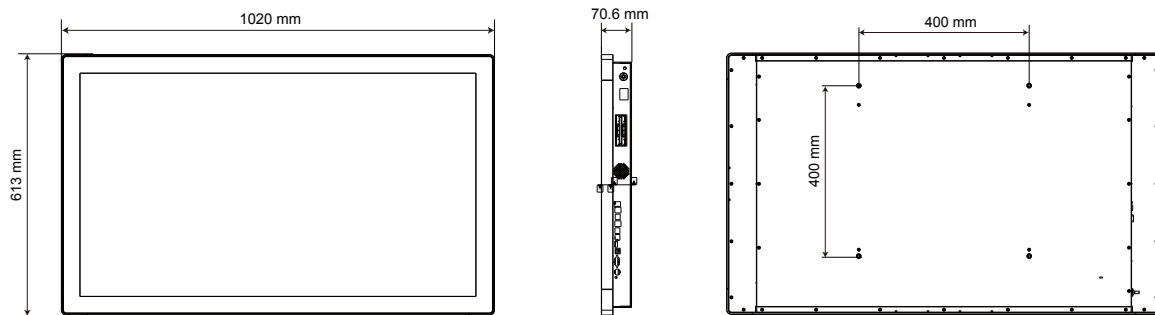
Flytech's latest K75D 42" multi-touch screen embedded system delivers all the reliability, functionality and performance efficiency required for an interactive information display in various touch applications. The powerful K75D is a True-Flat projected capacitive All-in-One solution equipped with the latest Intel 6th Generation Skylake-U processor and provides a high-brightness picture and the most responsive gestures-based display available today. With its rich I/O interface paired with an optional device box, the K75D offers endless connectivity options making it a perfect fit for the commercial, hospitality, automation, medical, healthcare, kiosk and infotainment markets.

K75D

Multifunctional Touch Panel PC

FLYTECH

www.flytech.com



Specification

Motherboard	Type Processor System Memory Graphic Engine	D86U Intel Skylake U CPU DDR3L 1600MHz (max. 8G) Intel HD Graphic DX12, define on CPU
LCD Touch Panel	LCD Size Brightness Resolution Touch Screen	42" (16:9 ratio) 500 nits 1920 x 1080 True-Flat PCAP Multi-Touch
Storage Device	HDD/ SSD Flash Memory	2x 2.5" SATA SATA SSD 8G/ 16G/ 32G/ 64G (Option)
External I/O Ports	USB Serial Port LAN VGA Audio Line-out (fly cable)	4x USB3.0, 2x USB2.0 3x RJ48 (default 0V; 0V/5V/12V) 1x RJ45 1x DB15 1
Audio	Internal Speaker	2x 3W
Power	Power Adapter	100 ~ 240VAC, 50/60Hz
Peripheral (Option)	Device Box	Smart IC Card Reader, RFID, Scanner, Line-out, Mic-in
Certificate	EMC & Safety	FCC Class A, CE Mark, LVD
Environment	Ventilation Dust & Water Proof Operating Temperature Storage Temperature Humidity	Fanless Front IP54 0°C ~ 35°C (32°F ~ 95°F) -20° ~ 60°C (-4°F ~ 140°F) 20% ~ 85% RH non-condensing
Dimension (WxDxH)		1020 x 70.6 x 613 mm (40.2" x 2.8" x 24.1")
Weight		27.6 kg (60.9 lbs)
Mounting		VESA Mount 400 x 400
OS Supported		Windows 7 (64bit), POSReady 7 (64bit), Windows 8.1 (64bit), Windows Embedded 8.1 Industry (64bit), Windows 10 (64bit), Windows 10 IoT Enterprise (64bit), Linux

Taiwan - Headquarters

No.168, Sing-ai Rd., Neihu District,
Taipei City 11494, Taiwan, R.O.C.
Tel: 886-2-8791-4988
Fax: 886-2-8791-4966
E-mail: sales@flytech.com.tw
www.flytech.com

U.S.A. - California

728 Charcot Ave, San Jose,
CA 95131, U.S.A.
Tel: 1-510-257-5180
Fax: 1-510-257-5181
E-mail: sales@flytech.com

China - Shanghai

3F Building 39, No. 333 Qin Jiang Rd.,
Shanghai 200233, P.R.China
Tel: 86-21-5426-1555
Fax: 86-21-5426-1001
E-mail: sales@flytech.com.cn
www.flytech.com.cn

China - Hong Kong

Room 01, 6/F, Block A, Tonic Industrial
Centre, 26 Kai Cheung Road, Kowloon
Bay, Kowloon, Hong Kong.
Tel: 852-3525-5800
Fax: 852-2751-7447
E-mail: sales@flytech.com.hk