



## K75C



500 nits



IP65



WiFi



MSR



Device Box

### Features

- 32" True-Flat PCAP Touch
- Intel Skylake S Processor
- Front IP65
- WiFi + BT Available
- MSR Available
- Device Box (Smart IC Card Reader, RFID, Scanner, Line-out, Mic-in) Available



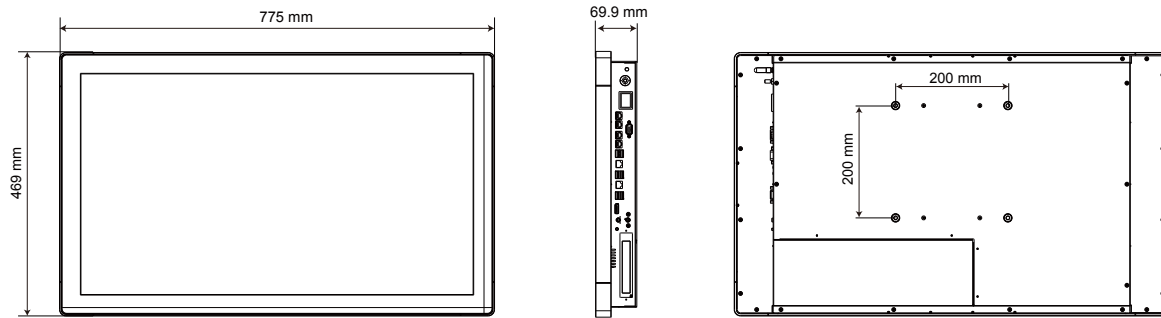
Flytech's latest K75C 32" multi-touch screen embedded system delivers all the reliability, functionality and performance efficiency required for an interactive information display in various touch applications. The powerful K75C is a True-Flat projected capacitive All-in-One solution equipped with the latest Intel 6th Generation Skylake-S processor and provides a high-brightness picture and the most responsive gestures-based display available today. With its rich I/O interface paired with an optional device box, the K75C offers endless connectivity options making it a perfect fit for the commercial, hospitality, automation, medical, healthcare, kiosk and infotainment markets.

# K75C

Multifunctional Touch Panel PC

**FLYTECH**

www.flytech.com



## Specification

<b>System</b>	Motherboard	D85S
	Processor	Intel Skylake S CPU
	Chipset	Intel Q170
	System Memory	2x DDR3L 1600MHz SO-DIMM (max. 16GB)
	Storage Device	1x 2.5" SATA HDD or SSD
	Graphic Engine	Intel HD Graphics
<b>LCD Touch Panel</b>	LCD Size	32" (16:9 ratio)
	Brightness	500 nits
	Resolution	1920 x 1080
	Touch Screen	True-Flat PCAP Touch
<b>Expansion</b>	Mini PCI-E Slot	1
<b>External I/O Ports</b>	USB	4x USB3.0, 2x USB2.0
	Serial Port	3x RS232, 1x RS232/422/485
	LAN	2x GbE
	Audio Jack	1x Line-out, 1x Mic-in
	VGA	1x DB15
	Display Port	1
<b>Audio</b>	Internal Speaker	2x 3W
<b>Power</b>	Power Input	100 ~ 240VAC, 50/60Hz
<b>Peripheral (Option)</b>	WiFi + BT	802.11 b/g/n WLAN card + BT 4.0
	MSR	3-Track MSR (USB)
	Device Box	Smart IC Card Reader, RFID, Scanner, Line-out, Mic-in
<b>Certificate</b>	EMC & Safety	FCC Class A, CE Mark, LVD
<b>Environment</b>	Ventilation	Fan
	Dust & Water Proof	Front IP65
	Operating Temperature	0°C ~ 35°C (32°F ~ 95°F) (Still Air)
	Storage Temperature	-20°C ~ 60°C (-4°F ~ 140°F)
	Humidity	20% ~ 85% RH non-condensing
<b>Dimensions (WxDxH)</b>		775 x 69.9 x 469 mm (30.5" x 2.8" x 18.5")
<b>Weight</b>		18 kg (39.7 lbs)
<b>Mounting</b>		VESA Mount 200 x 200
<b>OS Supported</b>		Windows 7 (64bit), POSReady 7 (64bit), Windows 8.1 (64bit), Windows Embedded 8.1 Industry (64bit), Windows 10 (64bit), Windows 10 IoT Enterprise (64bit), Linux

### Taiwan - Headquarters

No.168, Sing-ai Rd., Neihsu District,  
Taipei City 11494, Taiwan, R.O.C.  
Tel: 886-2-8791-4988  
Fax: 886-2-8791-4966  
E-mail: sales@flytech.com.tw  
www.flytech.com

### U.S.A. - California

728 Charcot Ave, San Jose,  
CA 95131, U.S.A  
Tel: 1-510-257-5180  
Fax: 1-510-257-5181  
E-mail: sales@flytech.com

### China - Shanghai

3F Building 39, No. 333 Qin Jiang Rd.,  
Shanghai 200233, P.R.China  
Tel: 86-21-5426-1555  
Fax: 86-21-5426-1001  
E-mail: sales@flytech.com.cn  
www.flytech.com.cn

### China - Hong Kong SAR

Room 01, 6/F, Block A, Tonic Industrial  
Centre, 26 Kai Cheung Road, Kowloon  
Bay, Kowloon, Hong Kong.  
Tel: 852-3525-5800  
Fax: 852-2751-7447  
E-mail: sales@flytech.com.hk