



K75A



IP65



Fanless*



WiFi



Webcam



MSR



Device Box

Features

- 24" True-Flat PCAP Touch
- Intel Bay Trail or Haswell Processor
- Front IP65
- WiFi + BT Available
- Webcam Available
- MSR Available
- Device Box (Smart IC Card Reader, RFID, Scanner, Line-out, Mic-in) Available

*Fanless is Available for Intel Bay Trail

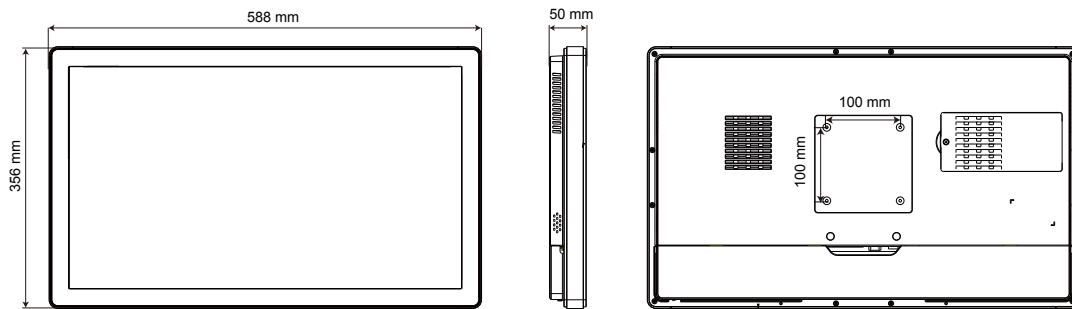


Reliability, functionality, accuracy, hygiene, performance efficiency and cost-effectiveness are all synonyms for hardware solutions when it comes to interactive information, digital signage, kiosks, and medical equipment. Whether looking for panel PC solutions for mission critical or non-critical environments, at Flytech, we understand the importance of providing the optimal panel PC system that suits an array of applications.

K75A

Multifunctional Touch Panel PC

FLYTECH
www.flytech.com



Specification

System	Motherboard	D35*	D66
	Processor	Intel Bay Trail CPU Celeron J1900 2.4GHz	Intel Haswell CPU (max. 45W)
	Chipset	CPU Integrated	Intel Q87 (AMT 9.0)
	System Memory	1x DDR3L 1066/1333MHz SO-DIMM up to 8GB	1x DDR3 1333/1600MHz SO-DIMM up to 8GB
	Storage Device	1x 2.5" SATA HDD or SSD or SSD module	1x 2.5" SATA HDD or SSD or SSD module
	Graphic Engine	Intel HD Graphics	Intel HD Graphics
LCD Touch Panel	LCD Size	24" (16:9 ratio)	24" (16:9 ratio)
	Brightness	250 nits	250 nits
	Resolution	1920 x 1080	1920 x 1080
	Touch Screen	True-Flat PCAP Touch	True-Flat PCAP Touch
Expansion	Mini PCI-E Slot	1	1
External I/O Ports	USB	4x USB2.0	2x USB3.0, 4x USB2.0
	Serial Port	2x DB9	4x RJ48 (with DB9 convert cable)
	LAN	2x RJ45	2x RJ45
	Audio Jack	1x Line-out, 1x Mic-in	1x Line-out, 1x Mic-in
	VGA	N/A	1x DB15
	DVI	1x DVI-I	1x DVI-D (Option)
Audio	Internal Speaker	2x 3W	2x 3W
Power	Power Supply	90W / 19V	120W / 19V
	Wide Range Power Input	12-48V	12-48V
	Connector	4-pole DIN (with latch)	4-pole DIN (with latch)
Peripheral	Webcam	5MP (Built-in)	5MP (Built-in)
	WiFi + BT	802.11 b/g/n WLAN card + BT 4.0 (Option)	802.11 b/g/n WLAN card + BT 4.0 (Option)
	MSR	3-Track MSR (USB) (Option)	3-Track MSR (USB) (Option)
	Device Box	Smart IC Card Reader, RFID, Scanner, Line-out, Mic-in (Option)	Smart IC Card Reader, RFID, Scanner, Line-out, Mic-in (Option)
Certificate	EMC & Safety	FCC Class B, CE Mark, LVD	FCC Class A, CE Mark, LVD
	Medical	N/A	EN 60601-1, UL 60601-1 3rd Edition
Environment	Ventilation	Fanless	Fan
	Dust & Water Proof	Front IP65	Front IP65
	Operating Temperature	0°C ~ 35°C (32°F ~ 95°F) (Still Air)	0°C ~ 35°C (32°F ~ 95°F) (Still Air)
	Storage Temperature	-20°C ~ 60°C (-4°F ~ 140°F)	-20°C ~ 60°C (-4°F ~ 140°F)
	Humidity	20% ~ 85% RH non-condensing	20% ~ 85% RH non-condensing
Dimensions (WxDxH)		588 x 50 x 356 mm (23.1" x 1.96" x 14.0")	
Weight		7 kg (15.4 lbs)	
Mounting		VESA Mount 100 x 100	
OS Supported		Windows 7 (32/64bit), Windows 8.1 (32/64bit), Windows 10 (64bit), Linux	

Taiwan - Headquarters

No.168, Sing-ai Rd., Neihu District,
Taipei City 11494, Taiwan, R.O.C.
Tel: 886-2-8791-4988
Fax: 886-2-8791-4966
E-mail: sales@flytech.com.tw
www.flytech.com

U.S.A. - California

271 East Brokaw Road, San Jose,
CA 95112, U.S.A.
Tel: 1-510-257-5180
Fax: 1-510-257-5181
E-mail: sales@flytech.com

China - Shanghai

3F Building 39, No. 333 Qin Jiang Rd.,
Shanghai 200233, P.R.China
Tel: 86-21-5426-1555
Fax: 86-21-5426-1001
E-mail: sales@flytech.com.cn
www.flytech.com.cn

China - Hong Kong SAR

Room 01, 6/F, Block A, Tonic Industrial
Centre, 26 Kai Cheung Road, Kowloon
Bay, Kowloon, Hong Kong
Tel: 852-3525-5800
Fax: 852-2751-7447
E-mail: sales@flytech.com.hk