



K757



IP65



Fanless*



WiFi



Webcam



MSR



Device Box

Features

- 15.6" True-Flat Resistive or PCAP Touch
- Intel Bay Trail or Haswell Processor
- Front IP65
- WiFi + BT Available
- Webcam Available
- MSR Available
- Device Box (Smart IC Card Reader, RFID, Scanner, Line-out, Mic-in) Available

*Fanless is Available for Intel Bay Trail



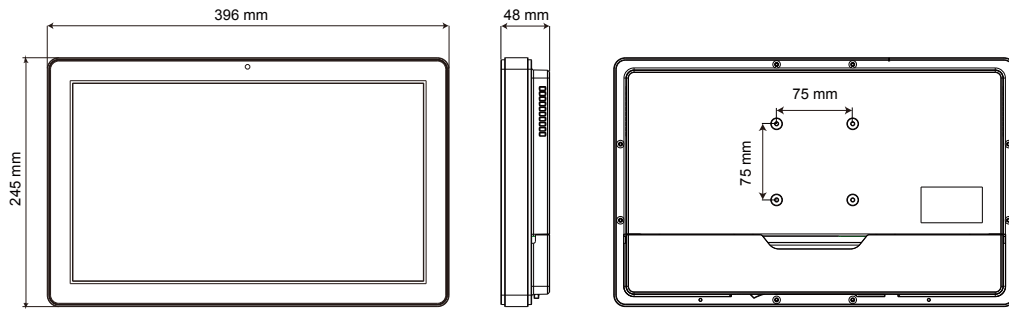
Reliability, functionality, accuracy, hygiene, performance efficiency and cost-effectiveness are all synonyms for hardware solutions when it comes to interactive information, digital signage, kiosks, and medical equipment. Whether looking for panel PC solutions for mission critical or non-critical environments, at Flytech, we understand the importance of providing the optimal panel PC system that suits an array of applications.

K757

Multifunctional Touch Panel PC

FLYTECH

www.flytech.com



Specification

System	Motherboard	D36*	D66
	Processor	Intel Bay Trail CPU Celeron J1900 2.4GHz	Intel Haswell CPU (max. 45W)
	Chipset	CPU Integrated	Intel Q87 (AMT 9.0)
	System Memory	1x DDR3L 1066/1333MHz SO-DIMM up to 8GB	1x DDR3 1333/1600MHz SO-DIMM up to 8GB
	Storage Device	1x 2.5" SATA HDD or SSD or SSD module	1x 2.5" SATA HDD or SSD or SSD module
	Graphic Engine	Intel HD Graphics	Intel HD Graphics
LCD Touch Panel	LCD Size	15.6" (16:9 ratio)	15.6" (16:9 ratio)
	Brightness	220 nits	220 nits
	Resolution	1366 x 768	1366 x 768
	Touch Screen	True-Flat Resistive or PCAP Touch	True-Flat Resistive or PCAP Touch
Expansion	Mini PCI-E Slot	1	1
External I/O Ports	USB	1x USB3.0, 4x USB2.0	2x USB3.0, 4x USB2.0
	Serial Port	4x RJ48 (with DB9 convert cable)	4x RJ48 (with DB9 convert cable)
	LAN	2x RJ45	2x RJ45
	Audio Jack	1x Line-out	1x Line-out, 1x Mic-in
	VGA	1x DB15	1x DB15
	DVI	1x DVI-D (Option)	1x DVI-D (Option)
Audio	Internal Speaker	2x 2W	2x 2W
Power	Power Supply	65W / 19V	120W / 19V
	Wide Range Power Input	12-48V	12-48V
	Connector	4-pole DIN (with latch)	4-pole DIN (with latch)
Peripheral	Webcam	2MP (Built-in)	2MP (Built-in)
	WiFi + BT	802.11 b/g/n WLAN card + BT 4.0 (Option)	802.11 b/g/n WLAN card + BT 4.0 (Option)
	MSR	3-Track MSR (USB) (Option)	3-Track MSR (USB) (Option)
	Device Box	Smart IC Card Reader, RFID, Scanner, Line-out, Mic-in (Option)	Smart IC Card Reader, RFID, Scanner, Line-out, Mic-in (Option)
Certificate	EMC & Safety	FCC Class A, CE Mark, LVD	FCC Class A, CE Mark, LVD
Environment	Ventilation	Fanless	Fan
	Dust & Water Proof	Front IP65	Front IP65
	Operating Temperature	0°C ~ 35°C (32°F ~ 95°F) (Still Air)	0°C ~ 35°C (32°F ~ 95°F) (Still Air)
	Storage Temperature	-20°C ~ 60°C (-4°F ~ 140°F)	-20°C ~ 60°C (-4°F ~ 140°F)
	Humidity	20% ~ 85% RH non-condensing	20% ~ 85% RH non-condensing
Dimensions (WxDxH)		396 x 48 x 245 mm (15.6" x 1.9" x 9.6")	
Weight		4.5 kg (9.9 lbs)	
Mounting		VESA Mount 75 x 75	
OS Supported		Windows 7 (32/64bit), Windows 8.1 (32/64bit), Windows 10 (64bit), Linux	

Taiwan - Headquarters

No.168, Sing-ai Rd., Neihu District,
 Taipei City 11494, Taiwan, R.O.C.
 Tel: 886-2-8791-4988
 Fax: 886-2-8791-4968
 E-mail: sales@flytech.com.tw
 www.flytech.com

U.S.A. - California

271 East Brokaw Road, San Jose,
 CA 95112, U.S.A.
 Tel: 1-510-257-5180
 Fax: 1-510-257-5181
 E-mail: sales@flytech.com

China - Shanghai

3F Building 39, No. 333 Qin Jiang Rd.,
 Shanghai 200233, P.R.China
 Tel: 86-21-5426-1555
 Fax: 86-21-5426-1001
 E-mail: sales@flytech.com.cn
 www.flytech.com.cn

China - Hong Kong SAR

Room 01, 6/F, Block A, Tonic Industrial
 Centre, 26 Kai Cheung Road, Kowloon
 Bay, Kowloon, Hong Kong
 Tel: 852-3525-5800
 Fax: 852-2751-7447
 E-mail: sales@flytech.com.hk