



K755



IP65



Fanless



WiFi



Webcam



MSR



Device Box

Features

- 10.1" True-Flat Resistive or PCAP Touch
- Intel Bay Trail or Skylake U Processor
- Front IP65
- Fanless and Silent
- WiFi + BT Available
- Webcam Available
- MSR Available
- Device Box (Smart IC Card Reader, RFID, Scanner, Line-out, Mic-in) Available



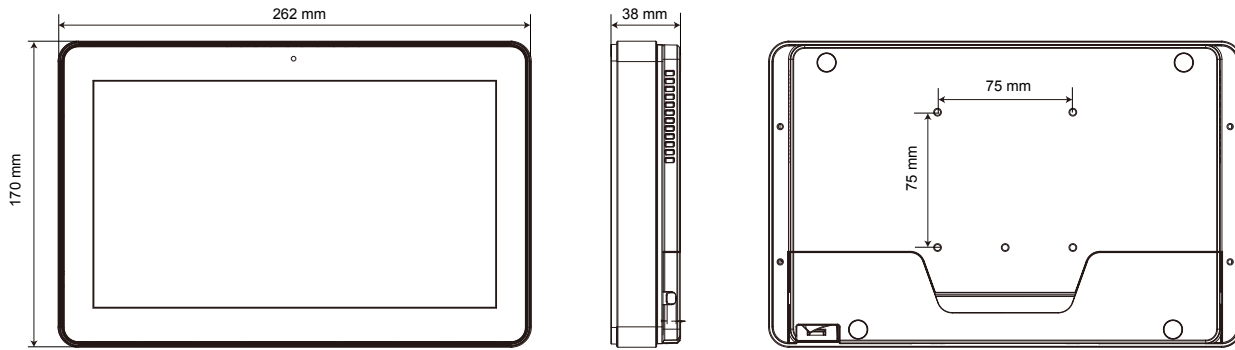
Reliability, functionality, accuracy, hygiene, performance efficiency and cost-effectiveness are all synonyms for hardware solutions when it comes to interactive information, digital signage, kiosks, and medical equipment. Whether looking for panel PC solutions for mission critical or non-critical environments, at Flytech, we understand the importance of providing the optimal panel PC system that suits an array of applications.

K755

Multifunctional Touch Panel PC

FLYTECH

www.flytech.com



Specification

System	Motherboard	D36	D86U
	Processor	Intel Bay Trail CPU Celeron J1900 2.4GHz	Intel Skylake U CPU Celeron 3955U, i3-6100U
	Chipset	CPU Integrated	CPU Integrated
	System Memory	1x DDR3L 1066/1333MHz SO-DIMM up to 8GB	1x DDR3L 1600MHz SO-DIMM up to 8GB
	Storage Device	1x 2.5" SATA HDD or SSD or SSD module	1x 2.5" SATA HDD or SSD or SSD module
	Graphic Engine	Intel HD Graphics	Intel HD Graphics
LCD Touch Panel	LCD Size	10.1" (16:10 ratio)	10.1" (16:10 ratio)
	Brightness	400 nits	400 nits
	Resolution	1920 x 1200	1920 x 1200
	Touch Screen	True-Flat Resistive or PCAP Touch	True-Flat Resistive or PCAP Touch
Expansion	Mini PCI-E Slot	1	1
External I/O Ports	USB	1x USB3.0, 4x USB2.0	4x USB3.0, 2x USB2.0
	Serial Port	3x RJ48 (with DB9 convert cable)	3x RJ48 (with DB9 convert cable)
	LAN	1x RJ45	1x RJ45
	VGA	1x DB15	1x DB15
Audio	Internal Speaker	2x 2W	2x 2W
Power	Power Supply	65W / 19V	65W / 19V
	Connector	4-pole DIN (with latch)	4-pole DIN (with latch)
Peripheral	Webcam	2MP (Built-in)	2MP (Built-in)
	WiFi + BT	802.11 b/g/n WLAN card + BT 4.0 (Option)	802.11 b/g/n WLAN card + BT 4.0 (Option)
	MSR	3-Track MSR (USB) (Option)	3-Track MSR (USB) (Option)
	Device Box	Smart IC Card Reader, RFID, Scanner, Line-out, Mic-in (Option)	Smart IC Card Reader, RFID, Scanner, Line-out, Mic-in (Option)
Certificate	EMC & Safety	FCC Class A, CE Mark, LVD	FCC Class A, CE Mark, LVD
	Medical	EN 60601-1, UL 60601-1 3rd Edition	EN 60601-1, UL 60601-1 3rd Edition
Environment	Ventilation	Fanless	Fanless
	Dust & Water Proof	Front IP65	Front IP65
	Operating Temperature	0°C ~ 35°C (32°F ~ 95°F) (Still Air)	0°C ~ 35°C (32°F ~ 95°F) (Still Air)
	Storage Temperature	-20°C ~ 60°C (-4°F ~ 140°F)	-20°C ~ 60°C (-4°F ~ 140°F)
	Humidity	20% ~ 85% RH non-condensing	20% ~ 85% RH non-condensing
Dimensions (WxDxH)		262 x 38 x 170 mm (10.4" x 1.5" x 6.7")	262 x 38 x 170 mm (10.4" x 1.5" x 6.7")
Weight		1.5 kg (3.3 lbs)	1.5 kg (3.3 lbs)
Mounting		VESA Mount 75 x 75	VESA Mount 75 x 75
OS Supported		Windows 7 (32/64bit), Windows 8.1 (32/64bit), Windows 10 (32/64bit), Linux	Windows 7 (64bit), POSReady 7 (64bit), Windows 8.1 (64bit), Windows Embedded 8.1 Industry (64bit), Windows 10 (64bit), Windows 10 IoT Enterprise (64bit), Linux

Taiwan - Headquarters

No.168, Sing-ai Rd., Neihu District,
Taipei City 11494, Taiwan, R.O.C.
Tel: 886-2-8791-4988
Fax: 886-2-8791-4966
E-mail: sales@flytech.com.tw
www.flytech.com

U.S.A. - California

271 East Brokaw Road, San Jose,
CA 95112, U.S.A.
Tel: 1-510-257-5180
Fax: 1-510-257-5181
E-mail: sales@flytech.com

China - Shanghai

3F Building 39, No. 333 Qin Jiang Rd.,
Shanghai 200233, P.R.China
Tel: 86-21-5426-1555
Fax: 86-21-5426-1001
E-mail: sales@flytech.com.cn
www.flytech.com.cn

China - Hong Kong SAR

Room 01, 6/F, Block A, Tonic Industrial
Centre, 26 Kai Cheung Road, Kowloon
Bay, Kowloon, Hong Kong
Tel: 852-3525-5800
Fax: 852-2751-7447
E-mail: sales@flytech.com.hk