



K769



Features

- 19" True-Flat Resistive or PCAP Touch
- Intel Bay Trail or Haswell Processor
- Front IP65
- WiFi + BT Available
- MSR Available
- Device Box (Smart IC Card Reader, RFID, Scanner, Line-out, Mic-in) Available

*Fanless is Available for Intel Bay Trail



IP65



Fanless*



WiFi



MSR



Device Box

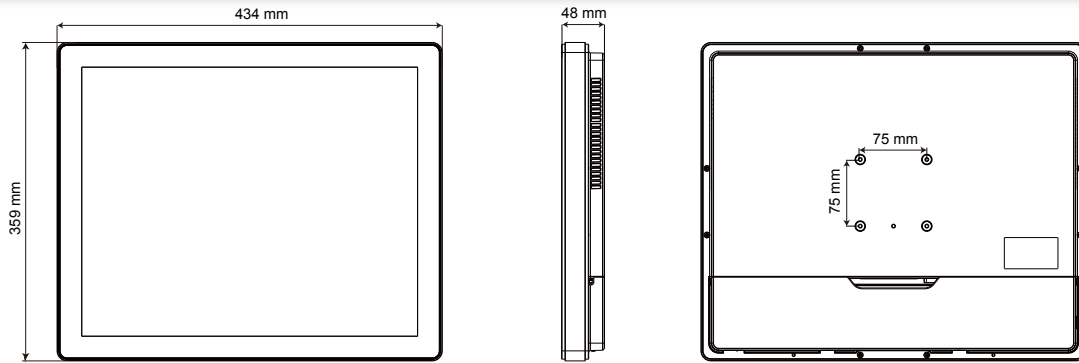
Reliability, functionality, accuracy, hygiene, performance efficiency and cost-effectiveness are all synonyms for hardware solutions when it comes to interactive information, digital signage, kiosks, and medical equipment. Whether looking for panel PC solutions for mission critical or non-critical environments, at Flytech, we understand the importance of providing the optimal panel PC system that suits an array of applications.

K769

Multifunctional Touch Panel PC

FLYTECH

www.flytech.com



Specification

Motherboard	Type Processor Chipset System Memory Memory Socket Graphic Engine	D36* Intel Bay Trail CPU Celeron J1900, Quad Core 2G/2.41G CPU Integrated DDR3L 1333MHz (max. 8G) 1x SO-DIMM Intel HD Graphic	D66 Intel Haswell CPU (max. 45W) Intel Q87 (AMT 9.0) DDR3 1333MHz (max. 8G) 1x SO-DIMM Intel HD Graphic
LCD Touch Panel	LCD Size Brightness Resolution Touch Screen	19" (4:3 ratio) 250 nits 1280 x 1024 True-Flat Resistive or PCAP Touch	19" (4:3 ratio) 250 nits 1280 x 1024 True-Flat Resistive or PCAP Touch
Storage Device	HDD/ SSD Flash Memory	1x 2.5" SATA SATA Slim SSD 8G/ 16G/ 32G/ 64G (Option)	1x 2.5" SATA SATA Slim SSD 8G/ 16G/ 32G/ 64G (Option)
Expansion	Mini PCI-E Socket	1	1
External I/O Ports	USB Serial Port LAN Audio Jack VGA DVI	1x USB3.0, 4x USB2.0 4x RJ48 (with DB9 convert cable) 2x RJ45 1x Line-out 1x DB15 1x DVI-D (Option)	2x USB3.0, 4x USB2.0 4x RJ48 (with DB9 convert cable) 2x RJ45 1x Line-out, 1x Mic-in 1x DB15 1x DVI-D (Option)
Audio	Internal Speaker	2x 3W	2x 3W
Power	Power Adapter Wide Range Power Input Connector	90W / 19V 12-48V 4-pole DIN (with latch)	120W / 19V 12-48V 4-pole DIN (with latch)
Peripheral (Option)	WiFi + BT MSR Device Box	802.11 b/g/n WLAN card + BT 4.0 3-Track MSR (USB) Smart IC Card Reader, RFID, Scanner, Line-out, Mic-in	802.11 b/g/n WLAN card + BT 4.0 3-Track MSR (USB) Smart IC Card Reader, RFID, Scanner, Line-out, Mic-in
Certificate	EMC & Safety Medical	FCC Class A, CE Mark, LVD N/A	FCC Class A, CE Mark, LVD EN 60601-1, UL 60601-1 3rd
Environment	Ventilation Dust & Water Proof Operating Temperature Storage Temperature Humidity	Fanless Front IP65 0°C ~ 35°C (32°F ~ 95°F) (Still Air) -20°C ~ 60°C (-4°F ~ 140°F) 20% ~ 85% RH non-condensing	Fan Front IP65 0°C ~ 35°C (32°F ~ 95°F) (Still Air) -20°C ~ 60°C (-4°F ~ 140°F) 20% ~ 85% RH non-condensing
Dimension (WxDxH)	434 x 48 x 359 mm (17.1" x 1.9" x 14.1")		
Weight	7 kg (15.4 lbs)		
Mounting	VESA Mount 75 x 75		
OS Supported	Windows 7 (32/64bit), Windows 8.1 (32/64bit), Windows 10 (64bit), Linux		

Taiwan - Headquarters

No.168, Sing-ai Rd., Neihu District,
Taipei City 11494, Taiwan, R.O.C.
Tel: 886-2-8791-4988
Fax: 886-2-8791-4966
E-mail: sales@flytech.com.tw
www.flytech.com

U.S.A. - California

728 Charcot Ave, San Jose,
CA 95131, U.S.A.
Tel: 1-510-257-5180
Fax: 1-510-257-5181
E-mail: sales@flytech.com

China - Shanghai

3F Building 39, No. 333 Qin Jiang Rd.,
Shanghai 200233, P.R.China
Tel: 86-21-5426-1555
Fax: 86-21-5426-1001
E-mail: sales@flytech.com.cn
www.flytech.com.cn

China - Hong Kong

Room 01, 6/F, Block A, Tonic Industrial
Centre, 26 Kai Cheung Road, Kowloon
Bay, Kowloon, Hong Kong.
Tel: 852-3525-5800
Fax: 852-2751-7447
E-mail: sales@flytech.com.hk